

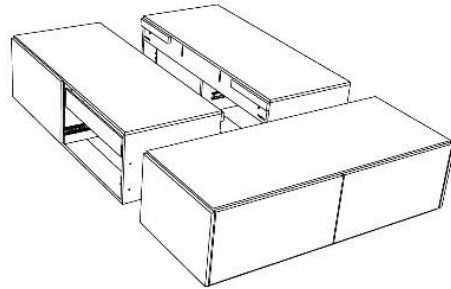


LIT 12091-60 / BED 12091-60

Assemblage/ Assembly

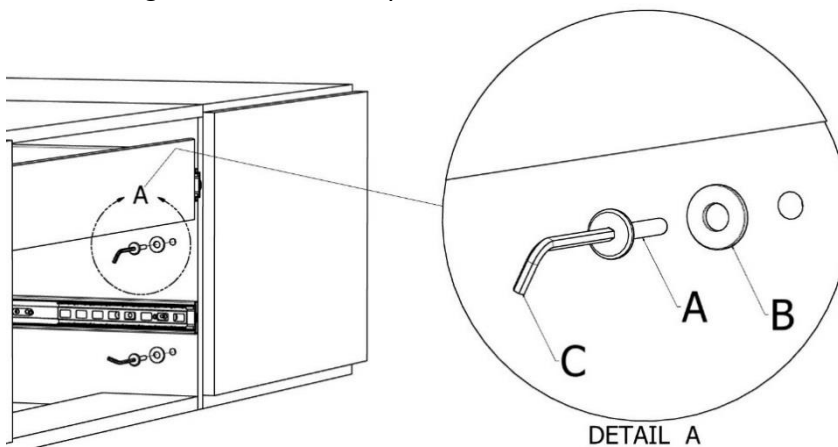
Étape 1 / Step 1

- Enlever les tiroirs et placer les caissons.
- Remove the drawers and place the case goods into position.



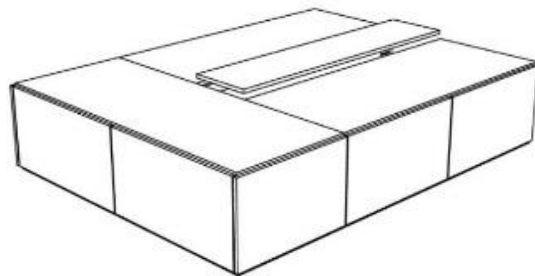
Étape 2 / Step 2

- Visser les caissons ensemble.
- Secure the case goods with screws provided.



Étape 3 / Step 3

- Mettre le panneau de support en place.
- Lay the support panel in place.

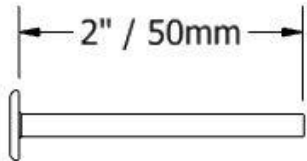




Vidéo disponible sur le site : <https://vimeo.com/347369375>

Video available online : <https://vimeo.com/347369375>



QUINCAILLERIE INCLUSE / INCLUDED HARDWARE

A (X 4)	 A technical drawing of a bolt. It shows a hexagonal head on the left and a cylindrical shaft extending to the right. A dimension line above the shaft indicates a length of 2" / 50mm.	BOULON / BOLT
B (X 4)	 A technical drawing of a washer, showing a circular shape with a smaller concentric circle in the center.	RONDELLE / WASHER
C (X 1)	 A technical drawing of an L-shaped Allen key, showing a long shaft that bends at a 90-degree angle.	CLÉ ALLEN / ALLEN KEY

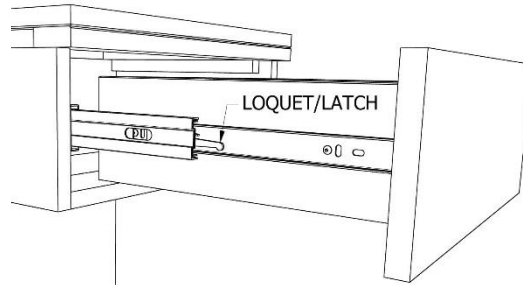


COULISSES LATÉRALES / LATERAL GLIDES

Enlever et remettre le tiroir / Remove and replace the drawer

Étape 1 / Step 1

- Ouvrir le tiroir et localiser le loquet.
- Open the drawer and locate the latch.*

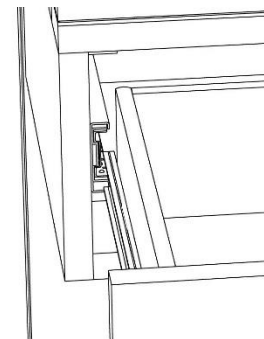
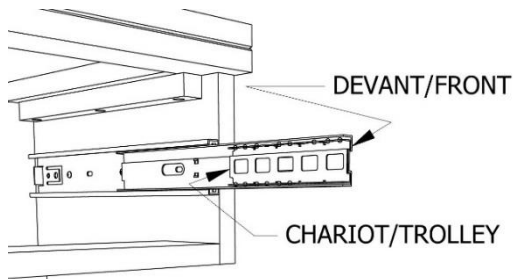


Étape 2 / Step 2

- Tirer le loquet de gauche vers le haut et celui de droite vers le bas. Retirer le tiroir.
- Pull the left latch upward and push the right latch downward. Remove the drawer.*

Étape 3 / Step 3

- Localiser les chariots et les positionner en avant. Insérer le tiroir délicatement dans les coulisses et le fermer.
- Locate the trolleys and bring them towards you, to the front of the drawer casing. Gently insert the drawer into the glides and close.*



Vidéo disponible sur le site : <https://vimeo.com/347721134>

Video available online : <https://vimeo.com/347721134>

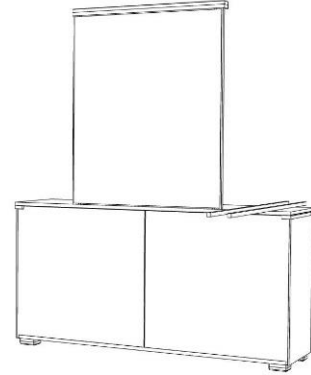


INSTALLATION DE MIROIR / MIRROR INSTALLATION

Baguettes / Vertical rod

Étape 1 / Step 1

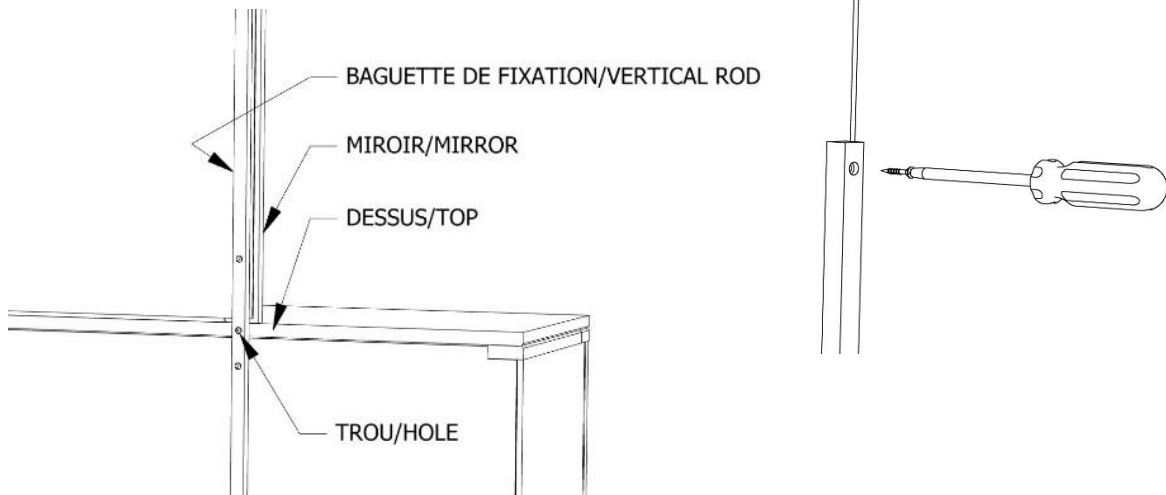
- Positionner le miroir à l'endroit désiré.
- Place the mirror in desired position.



Étape 2 / Step 2

- Positionner le trou du milieu de la baguette avec le milieu du dessus et fixer en place avec les vis fournies.

-The middle hole of the vertical rod needs to be centered on the edge of the dresser top. Gently fasten with provided screws.



Vidéo disponible sur le site : <https://vimeo.com/347732762>

Video available online : <https://vimeo.com/347732762>

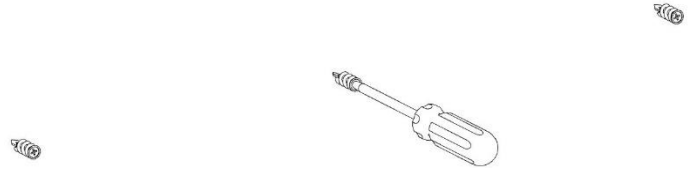


INSTALLATION DE MIROIR / MIRROR INSTALLATION

Taquet mural / Wall cleat

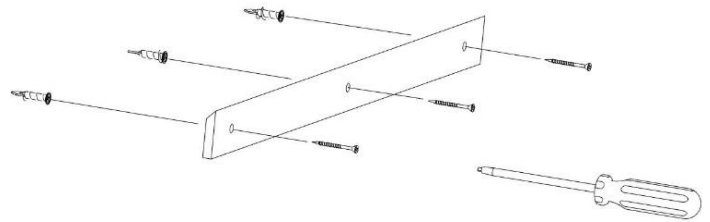
Étape 1 / Step 1

- Positionner et fixer les ancrages au mur.
- Place and secure anchors in desired position.



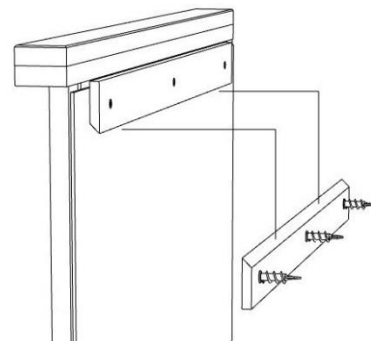
Étape 2 / Step 2

- Visser le taquet mural.
- Secure the wall cleat into the anchors.



Étape 3 / Step 3

- Suspendre le miroir sur le taquet mural.
- Lay the mirror on the wall cleat.



Vidéo disponible sur le site : <https://vimeo.com/347733531>

Video available online : <https://vimeo.com/347733531>

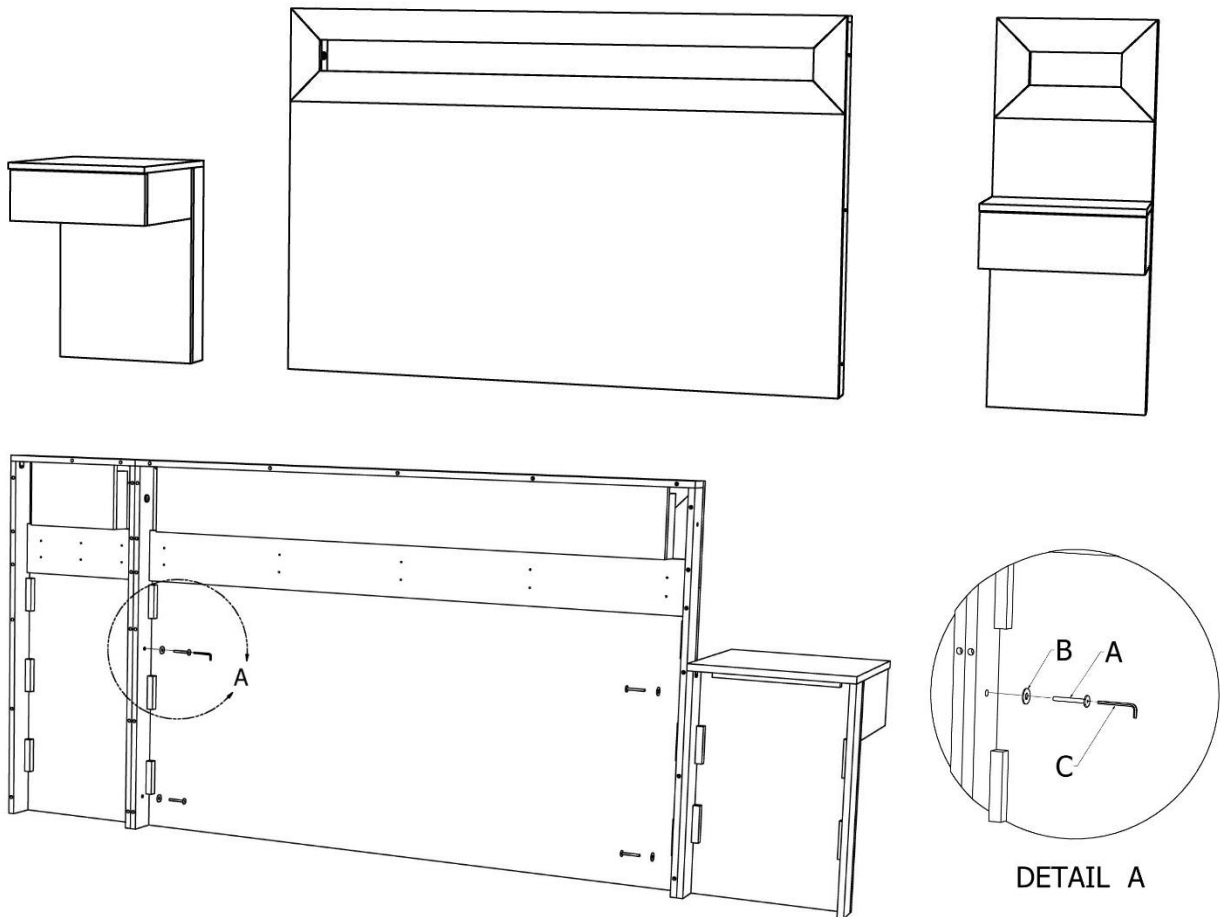


TABLE DE NUIT / NIGHTSTAND
Assemblage/ Assembly

Étape 1 / Step 1

-Placer la table de nuit et visser en place.

-Place the nightstand in position and secure to the headboard with provided screws.

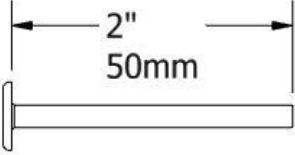
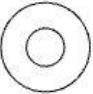



Vidéo disponible sur le site : <https://vimeo.com/347357046>

Video available online : <https://vimeo.com/347357046>



QUINCAILLERIE INCLUSE / INCLUDED HARDWARE

A (X 3)		BOULON / BOLT
B (X 3)		RONDELLE / WASHER
C (X 1)		CLÉ ALLEN / ALLEN KEY

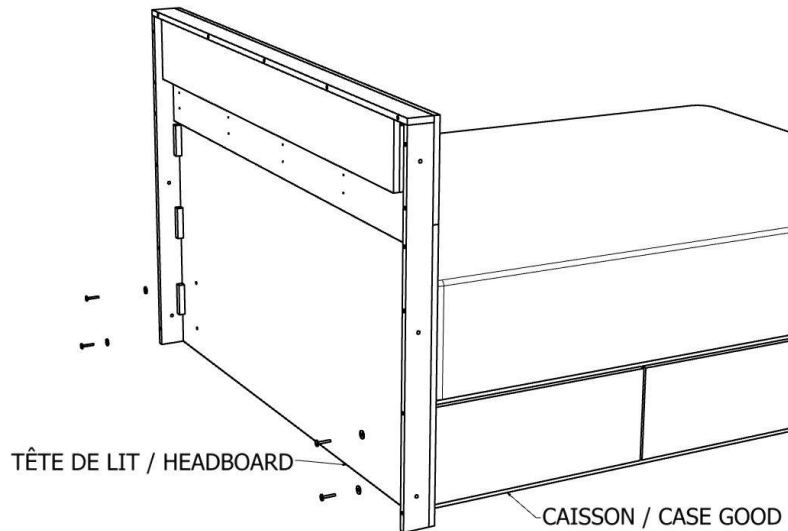


TÊTE DE LIT SUR CAISSONS / HEADBOARD ON CASE GOODS

Assemblage / Assembly

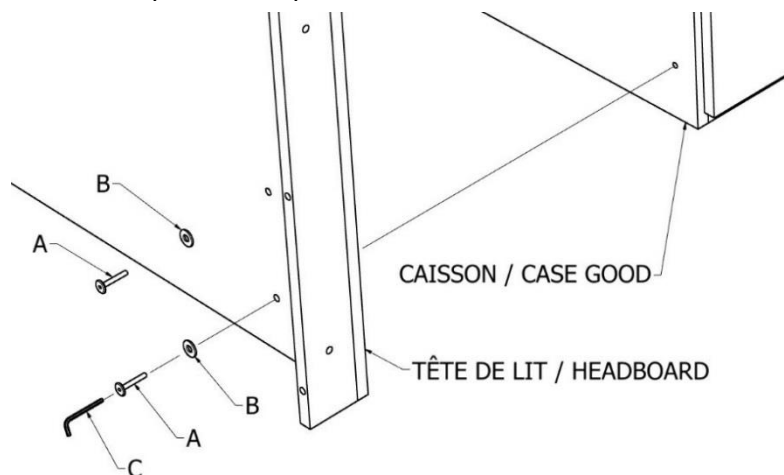
Étape 1 / Step 1

- Placer la tête de lit au bout des caissons assemblés.
- Place the headboard at the end of the assembled case goods.



Étape 2 / Step 2

- Visser la tête de lit en place.
- Secure the headboard in place with provided screws.

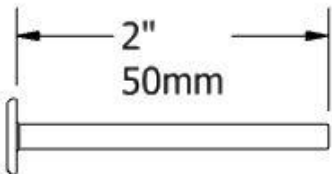




Vidéo disponible sur le site : <https://vimeo.com/347722621>

Video available online : <https://vimeo.com/347722621>



QUINCAILLERIE INCLUSE / INCLUDED HARDWARE

A (X 4)	 A technical drawing of a bolt. It shows a cylindrical head on the left and a threaded shaft extending to the right. Above the shaft, there are two horizontal dimension lines with arrows at their ends. The top line is labeled '2"' and the bottom line is labeled '50mm', indicating the length of the threaded portion.	BOULON / BOLT
B (X 4)	 A technical drawing of a washer, shown as a simple circle with a smaller concentric circle in the center, representing the hole.	RONDELLE / WASHER
C (X 1)	 A technical drawing of an Allen key, showing a long, thin shaft that is bent at a 90-degree angle at one end.	CLÉ ALLEN / ALLEN KEY