

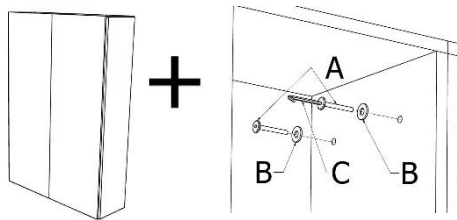


**LIT 27000 / BED 27000**  
**Assemblage/ Assembly**

**Étape 1 / Step 1**

-Placer les caissons de côté debout et visser ensemble. Remettre les caissons en position couché.

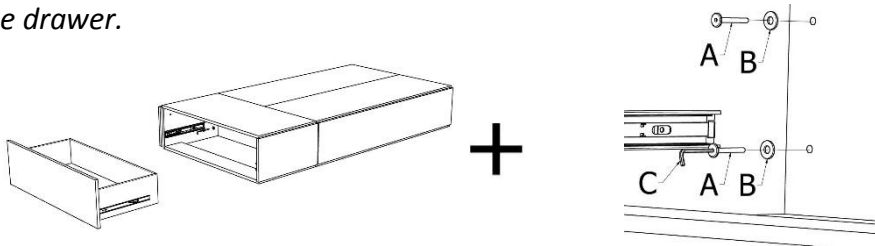
*-Place the case goods in a standing position and secure with the screws provided. Lay the case goods flat on the floor.*



**Étape 2 / Step 2**

-Retirer le tiroir du caisson du pied et mettre le caisson en place. Visser sur le bout des caissons de côté et remettre le tiroir.

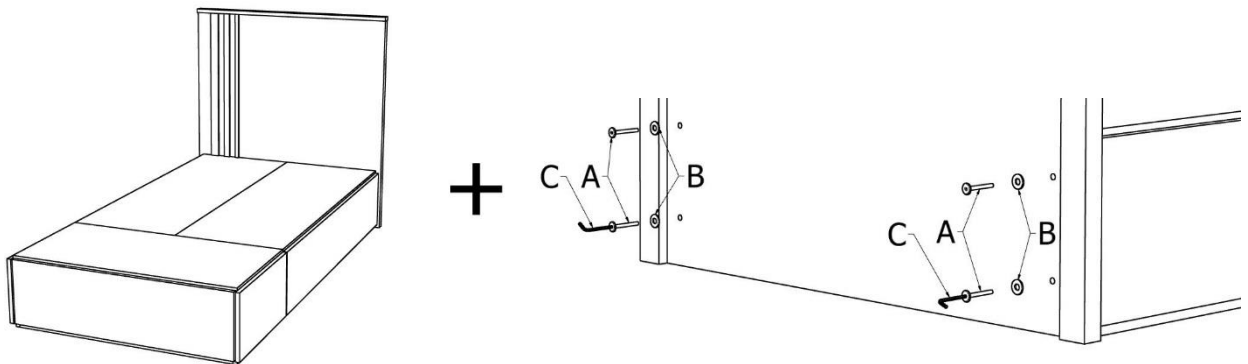
*-Remove the drawer from the foot case good and secure with the screws provided. Replace the drawer.*



**Étape 3 / Step 3**

- Placer la tête de lit et visser.

*- Place the headboard and secure with the screws provided.*

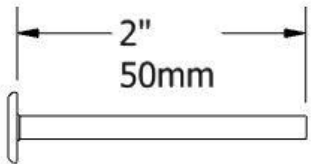
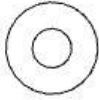



**Vidéo disponible sur le site :** <https://vimeo.com/347362297>

**Video available on :** <https://vimeo.com/347362297>



## **QUINCAILLERIE INCLUSE / INCLUDED HARDWARE**

A (X 12)		BOULON / BOLT
B (X 12)		RONDELLE / WASHER
C (X 1)		CLÉ ALLEN / ALLEN KEY

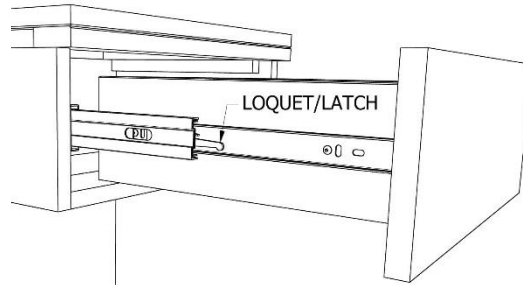


## COULISSES LATÉRALES / LATERAL GLIDES

### Enlever et remettre le tiroir / Remove and replace the drawer

#### Étape 1 / Step 1

- Ouvrir le tiroir et localiser le loquet.
- Open the drawer and locate the latch.*

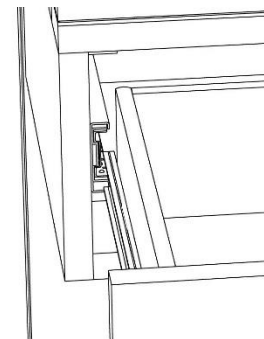
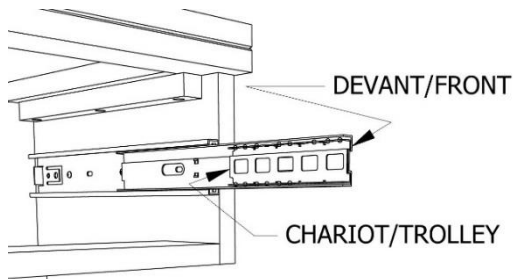


#### Étape 2 / Step 2

- Tirer le loquet de gauche vers le haut et celui de droite vers le bas. Retirer le tiroir.
- Pull the left latch upward and push the right latch downward. Remove the drawer.*

#### Étape 3 / Step 3

- Localiser les chariots et les positionner en avant. Insérer le tiroir délicatement dans les coulisses et le fermer.
- Locate the trolleys and bring them towards you, to the front of the drawer casing. Gently insert the drawer into the glides and close.*



**Vidéo disponible sur le site :** <https://vimeo.com/347721134>

**Video available online :** <https://vimeo.com/347721134>

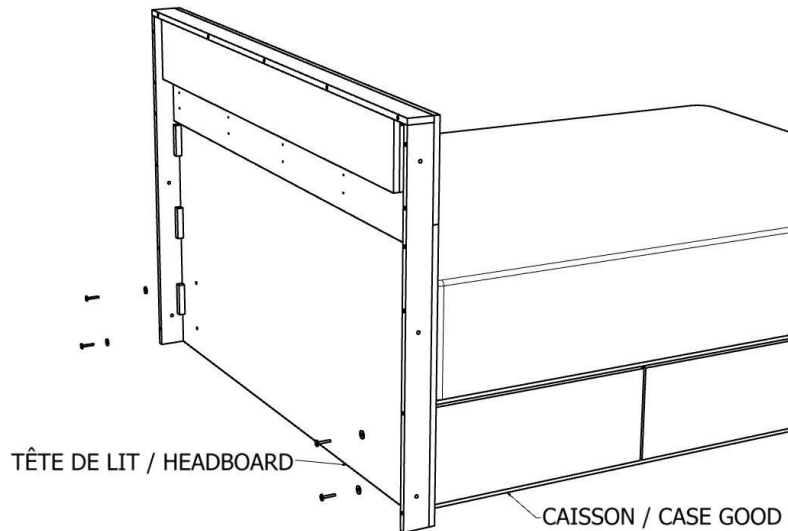


## **TÊTE DE LIT SUR CAISSONS / HEADBOARD ON CASE GOODS**

### **Assemblage / Assembly**

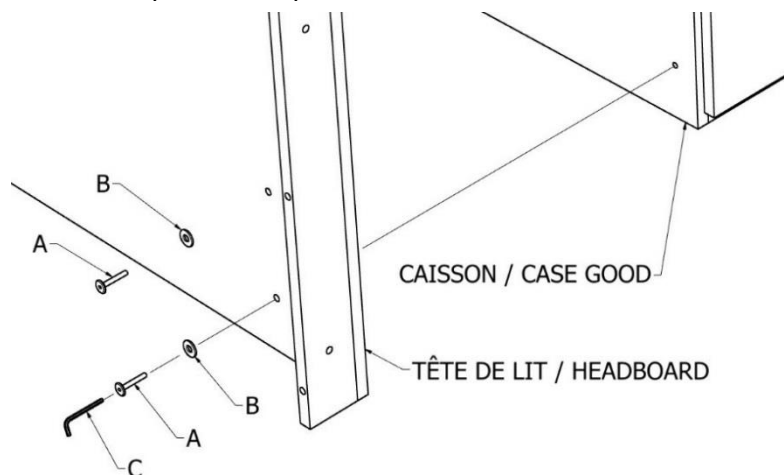
#### **Étape 1 / Step 1**

- Placer la tête de lit au bout des caissons assemblés.
- Place the headboard at the end of the assembled case goods.



#### **Étape 2 / Step 2**

- Visser la tête de lit en place.
- Secure the headboard in place with provided screws.

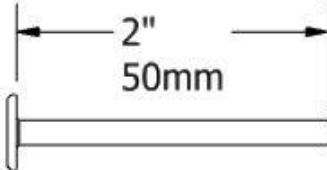




**Vidéo disponible sur le site :** <https://vimeo.com/347722621>

**Video available online :** <https://vimeo.com/347722621>



## QUINCAILLERIE INCLUSE / INCLUDED HARDWARE

A (X 4)	 A technical drawing of a bolt. It shows a cylindrical head on the left and a threaded shaft extending to the right. Above the shaft, there are two dimension lines: one labeled '2"' and another labeled '50mm', indicating the length of the shaft.	BOULON / BOLT
B (X 4)	 A technical drawing of a washer, showing a circular shape with a smaller concentric circle in the center, representing the hole.	RONDELLE / WASHER
C (X 1)	 A technical drawing of an Allen key, showing a long, thin shaft that is bent at a 90-degree angle at one end.	CLÉ ALLEN / ALLEN KEY