

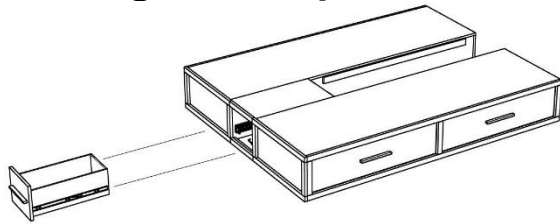


**LIT 32091 / BED 32091**

**Assemblage/ Assembly**

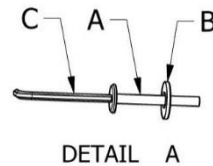
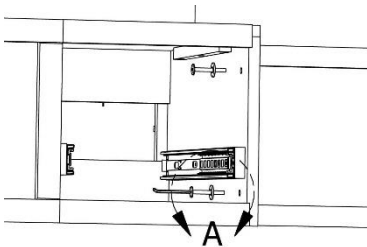
**Étape 1 / Step 1**

- Positionner les caissons et enlever le tiroir.
- Place the case goods in position and remove the drawer.



**Étape 2 / Step 2**

- Visser les caissons ensemble.
- Secure the case goods with screws provided.



**Étape 3 / Step 3**

- Mettre le panneau de support en place.
- Lay the support panel in place.

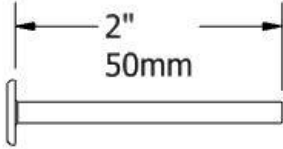




**Vidéo disponible sur le site** <https://vimeo.com/564606046>

**Video available online** <https://vimeo.com/564606046>



## QUINCAILLERIE INCLUSE / INCLUDED HARDWARE

A (X 4)		BOULON / BOLT
B (X 4)		RONDELLE / WASHER
C (X 1)		CLÉ ALLEN / ALLEN KEY



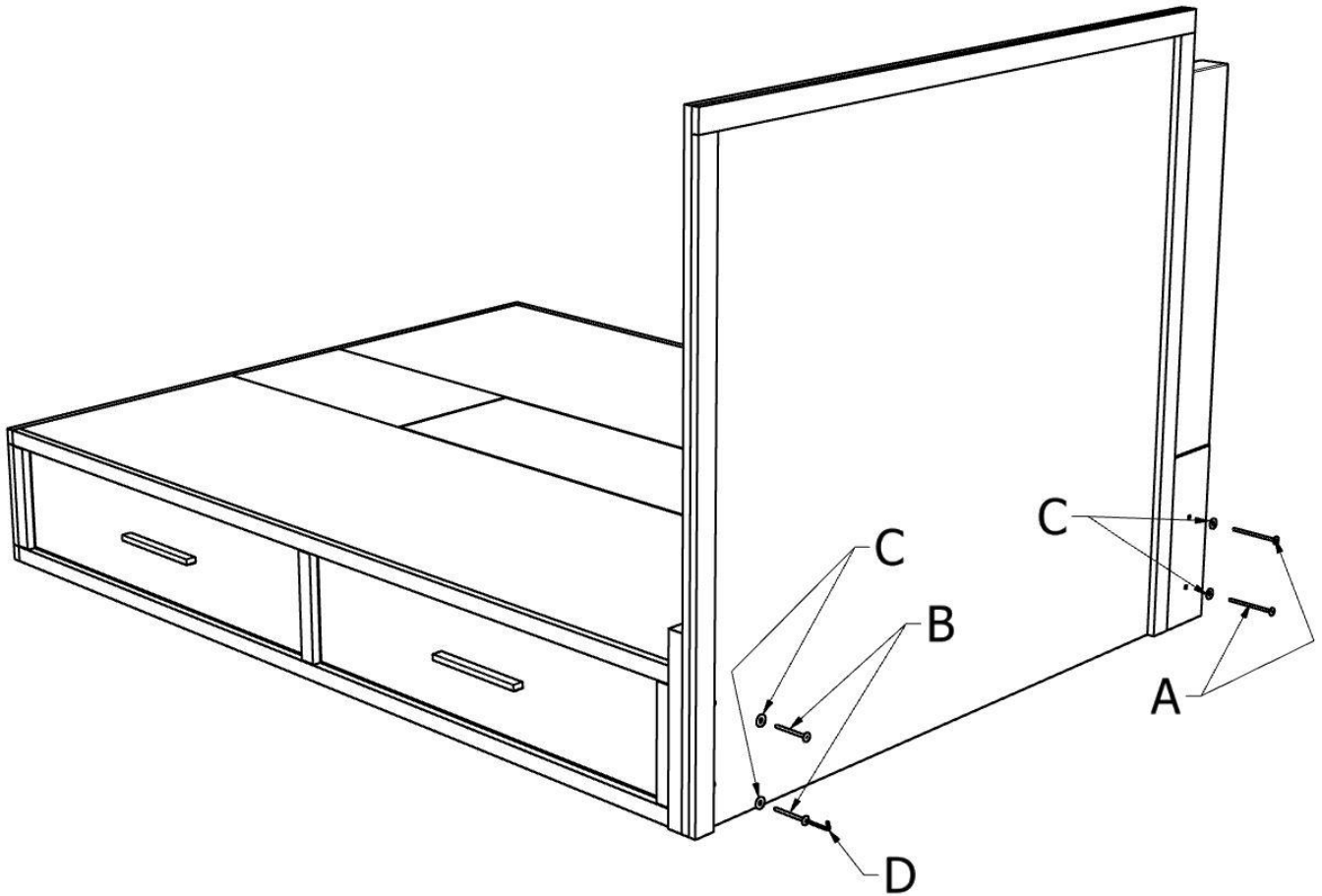
## TÊTE DE LIT 32000 / HEADBOARD 32000

### Assemblage/ Assembly

#### Étape 1 / Step 1

-Positionner les caissons sur la tête de lit et visser en place.

-Position the case goods in front of the headboard and secure in place with the screws provided.

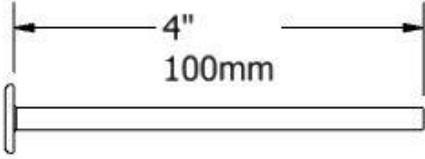
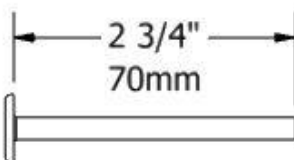




**Vidéo disponible sur le site** <https://vimeo.com/347731115>

**Video available online** <https://vimeo.com/347731115>



## QUINCAILLERIE INCLUSE / INCLUDED HARDWARE

A (X 2)	 A technical drawing of a bolt. It shows a cylindrical head on the left and a threaded shaft extending to the right. A dimension line above the shaft indicates a length of 4 inches (100mm).	BOULON / BOLT
B (X 2)	 A technical drawing of a bolt, similar to bolt A but shorter. A dimension line above the shaft indicates a length of 2 3/4 inches (70mm).	BOULON / BOLT
C (X 4)	 A technical drawing of a washer, showing a circular shape with a smaller concentric circle in the center.	RONDELLE / WASHER
D (X 1)	 A technical drawing of an Allen key, showing a long, thin shaft with a hexagonal end on the left.	CLÉ ALLEN / ALLEN KEY